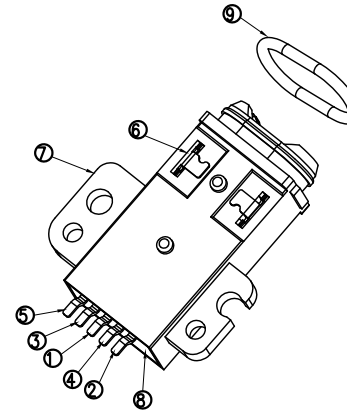
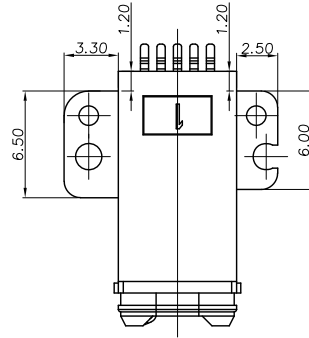
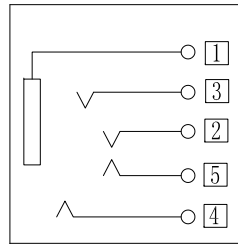
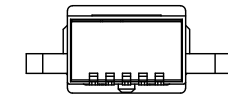
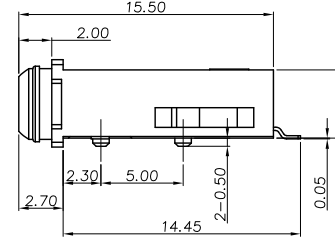
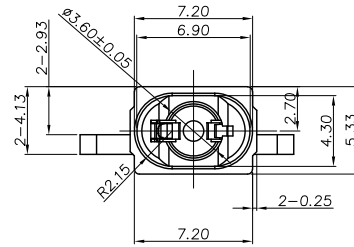
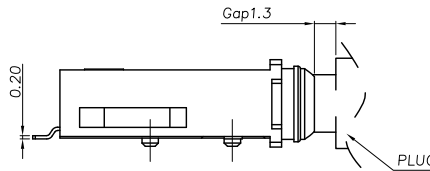
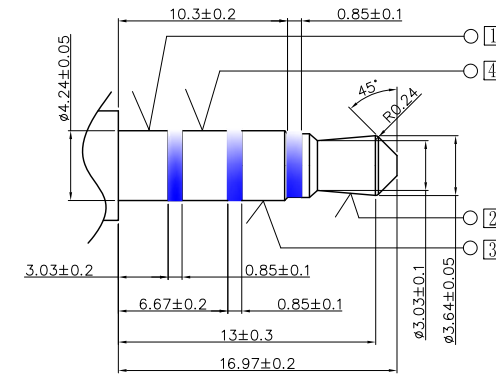


SPECIFICATION:

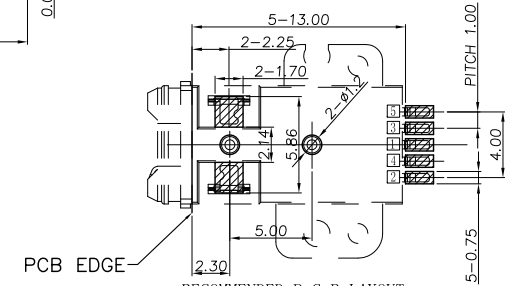
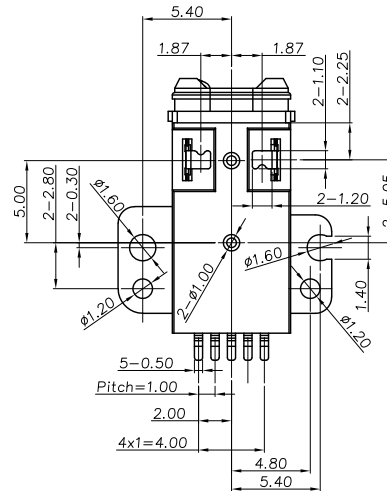
- Electrical characteristics
  - Current rating:DC 0.5A max.
  - Voltage rating:DC 30V.
  - Contact resistance:50mΩ max
  - Insulation resistance:1000MΩ min. at 500V DC.
  - Withstanding voltage:500V AC for 1 minute.
- Mechanical characteristics
  - Life test:5000 cycles min,
  - Mating force:3~30N,  
Unmating force:3~30N.
- Temperature range: -40° C~+80° C
- Dustproof and waterproof grade: IP67.



Matching Plug



Circuit Diagram



RECOMMENDED P.C.B LAYOUT  
TOP VIEW (TOLRANCE: ±0.05)

| NO. | DESCRIPTION  | QTY | MATERIAL                 | REMARK  |
|-----|--------------|-----|--------------------------|---|
| 9   | Rubber ring  | 1   | Silica Gel               | White   |
| 8   | cover        | 1   | HIGH TEMPERATURE PLASTIC | Black   |
| 7   | Housing      | 1   | HIGH TEMPERATURE PLASTIC | Black   |
| 6   | Shunt        | 2   | Phosphor bronze, 0.15t   | 3u"Au on Contact Area And Gold Flash On Other Area. |
| 5   | Tip spring   | 1   | Phosphor bronze, 0.20t   |   |
| 4   | Ring spring  | 1   | Phosphor bronze, 0.20t   |   |
| 3   | Ring spring  | 1   | Phosphor bronze, 0.20t   |   |
| 2   | Tip spring   | 1   | Phosphor bronze, 0.20t   |   |
| 1   | Earth spring | 1   | Phosphor bronze, 0.20t   |   |
| NO. | DESCRIPTION  | QTY | MATERIAL                 | REMARK  |

|            |             |       |  |                    |       |
|------------|-------------|-------|--|--------------------|-------|
| X. ±0.50   | X.* ±2°     | UNITS | 深圳市鑫南天科技有限公司                               |                    |       |
| .X ±0.30   | .X.* ±1°    | mm    | Shen zhen Xin Nan Tian Technology Co., Ltd |                    |       |
| .XX ±0.20  | .XX.* ±0.5° | MAT'L | PART NO.                                   | TITLE:             |       |
| .XXX ±0.05 |             | /     | XNTPJK-1101PX8                             | Micro USB 5Pin SMT |       |
| XNT        | FINISH      | /     |  | DWG NO:            |       |
|            | Q'TY        | /     |  | XNTPJK-1101PX8     |       |
|            |             |       |  | SCALE              | SHEET |
|            |             |       |  | 1/1                | 1/1   |
|            |             |       |  | REV.               | A1    |