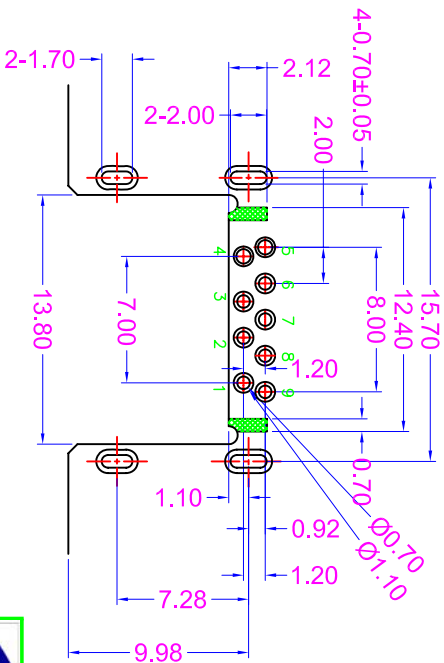
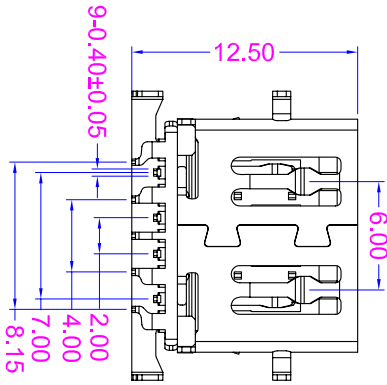
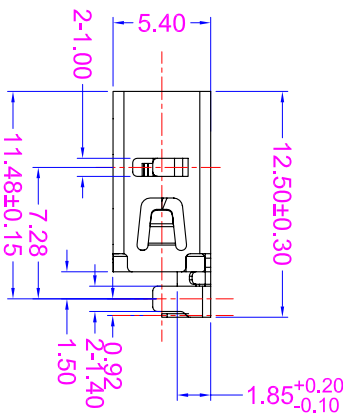
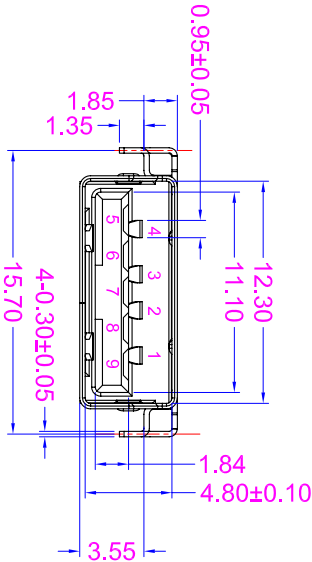
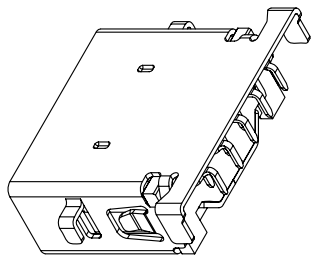
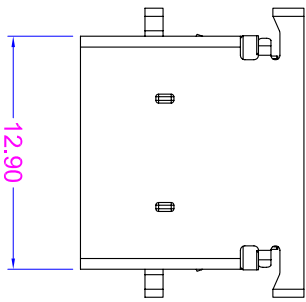


* 所有原料材质, 生产制程, 电镀必须符合ROHS要求



- NOTE:
- MATERIAL:
 - INSULATOR:HIGH TEMPERATURE PLASTIC UL 94 V-0;
 - CONTACT: COPPER ALLOY(T=0.2mm)
 - SHELL:SUS201 (T=0.30mm)
 - ELECTRICAL CHARACTERISTICS:
 - CONTACT RESISTANCE:30m Max
 - CONTACT CURRENT RATING:1.5A
 - DIELECTRIC WITHSTANDING VOLTAGE:500 V R.M.S.
 - INSULATION RESISTANCE 100 MEGOHMS M
 - OPERATING TEMPERATURE:-40°C ~ 85°C
 - RATE VOLTAGE: 30V DC
 - MECHANICAL CHARACTERISTICS:
 - MATING FORCE:10 N Min INITIAL; 8 N Min AFTER TEST
 - UNMATED FORCE:35 N Max
 - DURABILITY:5,000 CYCLES
 - PLATING
 - TERMINAL CONTACT:GOLD PLATING ALL OVER 50u" MIN NICKEL AND 80u"MIN Matte Tin NICKEL IN SOLDER AREA(SEE TAB)
 - SHELL:50u"MIN. NICKEL ALL OVER

Pin #	SIGNAL NAME	DESCRIPTION	MATING SEQUENCE
1	SIGNAL	POWER	SECOND
2	VBUS	USB 2.0 DIFFERENTIAL PAIR	THIRD
3	D-		
4	D+		
5	GND	GROUND FOR POWER RETURN	SECOND
6	StDA_SSRX-	SUPERSPEED RECEIVER DIFFERENTIAL PAIR	LAST
7	StDA_SSRX+		
8	GND_DRAIN	GROUND FOR SIGNAL RETURN	
9	StDA_SSTX-	SUPERSPEED TRANSMITTER DIFFERENTIAL PAIR	
	StDA_SSTX+		
	Shell	CONNECTOR METAL SHELL	FIRST

TOLERANCE: ±0.05, THICKNESS: 1.0~1.2mm
 RECOMMENDED PCB LAYOUT
 (TOP VIEW)
 KEEP OUT AREA



深圳市鑫南天科技有限公司
 Shen zhen Shi Xin Nan Tian Industrial Co., Ltd

DIMENSIONS UNIT: mm		DRAWINGS:	
UNLESS OTHERWISE SPECIFIABLE		PRODUCT NAME: USB A TYPE 3.0 9P M DP 外壳四脚全插 次数:1.65 平口 次数:3.55	DATE: 2008/08/08
DIMENSION	TOLERANCE	PRODUCT NO.: USB A30-08BS189PK	CHECK: JANYI
X	±0.50 X"	DRAWING NO.: XNT-USB30-9P-005	DATE: 2008/08/08
X	±0.30 X X°	SCALE: 1:1	APPROVED: JEFF
X	±0.20 X XX° ±2°	DWG ID: P D	DATE: 2008/08/08
X	XX ±0.15	REV.: B	PAGE: 1 OF 1