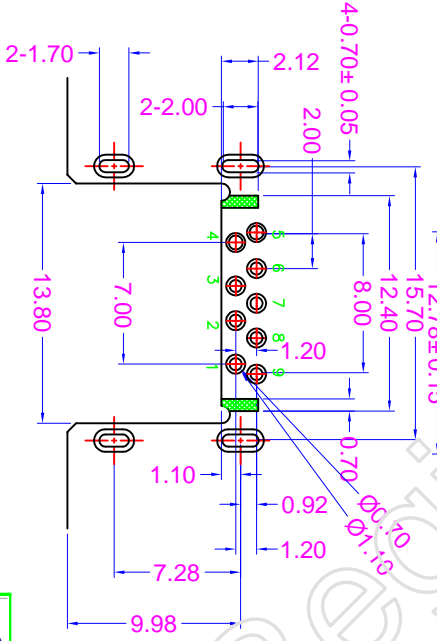
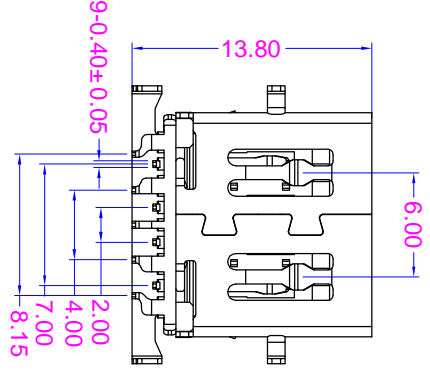
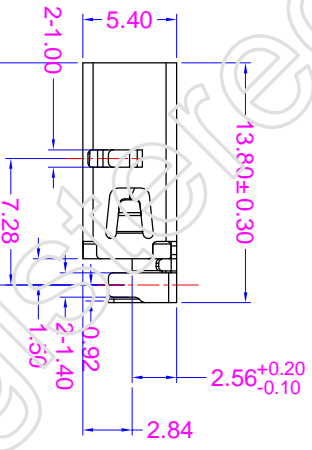
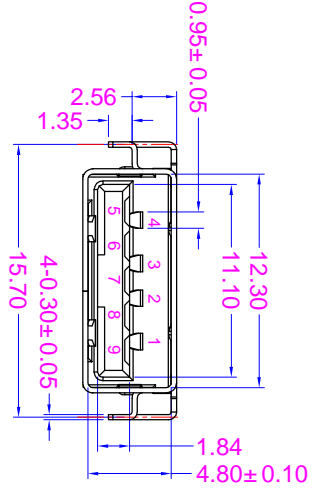
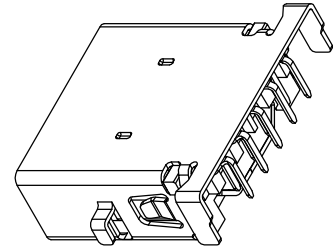
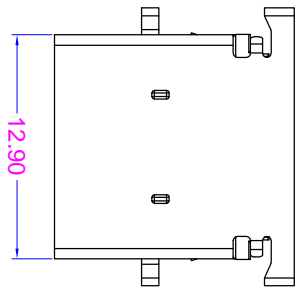


\* 所有原材料, 生产制程, 电镀必须符合ROHS要求



- NOTE:
- MATERIAL:
    - INSULATOR: HIGH TEMPERATURE PLASTIC UL 94 V-0;
    - CONTACT: COPPER ALLOY(T=0.2mm)
    - SHELL: SUS201(T=0.30mm)
  - ELECTRICAL CHARACTERISTICS:
    - CONTACT RESISTANCE: 30m Max
    - CONTACT CURRENT RATING: 1.5A
    - DIELECTRIC WITHSTANDING VOLTAGE: 500 V R.M.S.
    - INSULATION RESISTANCE: 100 MEGOHMS M
    - OPERATING TEMPERATURE: -40°C ~ 85°C
    - RATE VOLTAGE: 30V DC
  - MECHANICAL CHARACTERISTICS:
    - MATING FORCE: 10 N Min INITIAL; 8 N Min AFTER TEST
    - UNMATED FORCE: 35 N Max
    - DURABILITY: 5,000 CYCLES
  - PLATING
    - TERMINAL CONTACT: GOLD PLATING ALL OVER  
50μ" MIN NICKEL AND 80μ" MIN Matte Tin  
NICKEL IN SOLDER AREA(SEE TAB)
    - SHELL: 50μ" MIN. NICKEL ALL OVER

Pin #	SIGNAL NAME	DESCRIPTION	MATING SEQUENCE
1	VBUS	POWER	SECOND
2	D-	USB 2.0 DIFFERENTIAL PAIR	THIRD
3	D+	DIFFERENTIAL PAIR	THIRD
4	GND	GROUND FOR POWER RETURN	SECOND
5	StDa_SSRX-	GROUND FOR POWER RETURN	SECOND
6	StDa_SSRX+	SUPERSPEED RECEIVER DIFFERENTIAL PAIR	LAST
7	GND_DRAIN	GROUND FOR SIGNAL RETURN	LAST
8	StDa_SSTX-	SUPERSPEED TRANSMITTER DIFFERENTIAL PAIR	LAST
9	StDa_SSTX+	SUPERSPEED TRANSMITTER DIFFERENTIAL PAIR	LAST
Shell	Shield	CONNECTOR METAL SHELL	FIRST

TOLERANCE: ±0.05, THICKNESS: 1.0~1.2mm  
 RECOMMENDED PCB LAYOUT  
 (TOP VIEW)  
 KEEP OUT AREA



深圳市鑫南天科技有限公司  
 Shen zhen Shi Xin Nan Tian Industrial Co., Ltd

DIMENSIONS UNIT: mm		DRAWINGS:	
UNLESS OTHERWISE SPECIFIABLE		PRODUCT NAME: USB A TYPE 3.0 9PIN DIP 外壳回脚全插 沉板间距2.94 板上2.96 平口	DATE: 2008/08/08
DIMENSION	TOLERANCE	PRODUCT NO.: USB30-08284PK	CHECK: COCO
X	±0.50 X.°	DRAWING NO.: XNT-USB30-9P-005	APPROVED: JEFF
X.X	±0.30 X.X°	SCALE: 1:1	DATE: 2008/08/08
X.XX	±0.20 X.XX°	DWG ID: P.D	REV: B
X.XXX	±0.15	PAGE: 1 of 1	

REVISION NO.	EGR NO.	DESCRIPTION	MARK	DATE
1				
2				