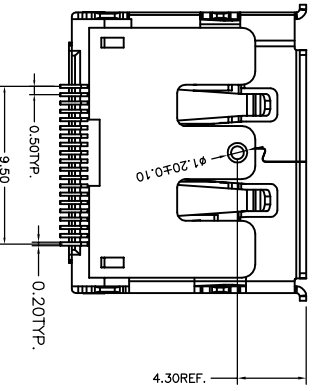


0.10



- NOTE:
 1.MATERIAL:
 1.1 HOUSING: LCP, UL 94V-0
 1.2 CONTACT: C2680, 1=0.20mm.
 1.3 SHIELD: C2680, 1=0.40mm.
 1.4 COVER: LCP,UL 94V-0
 1.5 MYLAR: POLYIMIDE

2.FINISH:

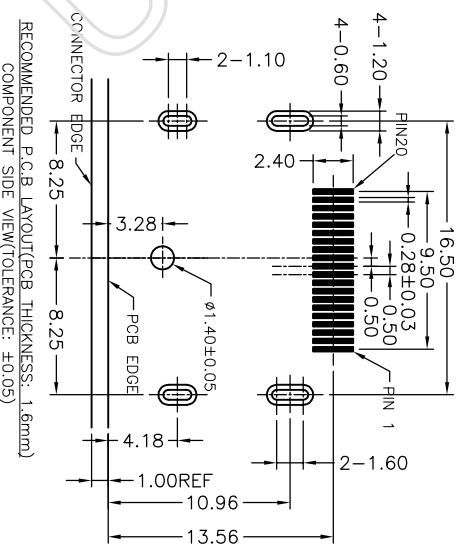
- 2.1 CONTACT: GOLD(1U) PLATING IN CONTACT AREA, TIN(80U) PLATED IN SOLDER AREA, 50U" MIN. NICKEL UNDERPLATED OVERALL.
 2.2 SHIELD: 50U" MIN. NICKEL UNDERPLATED OVERALL.

3.MECHANICAL CHARACTERISTICS

- 3.1 RATING CURRENT: 0.5A
 3.2 RATING VOLTAGE: 40V
 3.3 CONTACT RESISTANCE: 40 mΩ MAX
 3.4 INSULATION RESISTANCE:
 a. UNMATED: 100MΩ MIN AT 500 VDC
 b. MATED: 10M ΩHS MIN AT 150 VDC
 3.5 DIELECTRIC WITHSTANDING VOLTAGE: 500V AC/1MINUTE
 3.6 DURABILITY: 10000 CYCLES.
 3.7 OPERATING TEMPERATURE: -20C--+85C
 3.8 STORAGE TEMPERATURE: -20C--+65C

4. NOTES:

- 4.1 ALL COMPONENTS ARE ROHS COMPLIANT.
 4.2 RESISTANCE TO SOLDERING HEAT: 265°C FOR 10 SECONDS.



深圳市鑫南天科技有限公司

		图名		绘图		比例	
一般公差		Dwg. NAME		CoCo		SCALE	
COMMONLY		料号		CoCo		UNIT	
TOLERANCES		PART NO.		Ag		REV.	
XXXX ±0.05		XNT-DP-20P-DIP		Ag		00	
XXX ±0.10		品名		审核		00	
XX ±0.15		DISPLAYPORT 母头SMT带		CHECKED		01	
X ±0.2		TITLE		JEFF		01	
ANGLE ±2°		弹片带胶无卤		APPROVED		01	

标记 日期

变更内容

签名

A4

X

5

6

7