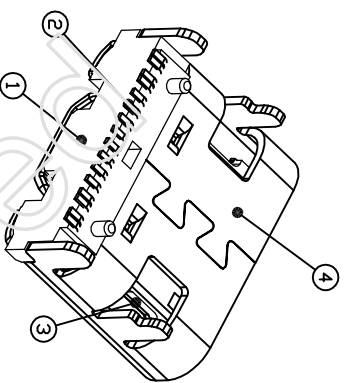


REV.	ECN. NO.	NAME	DATE
A	NEW	ZW	2017/10/30



NOTE:

1. MATERIAL SPECIFICATION:

1. HOUSING: HIGH TEMPERATURE RESISTANT PLASTIC, UL94 V-0.
2. CONTACTS: COPPER ALLOY
3. MID PLATE: STAINLESS STEEL
4. FRONT SHELL: STAINLESS STEEL

2. PLATING SPECIFICATION:

- 2-1. CONTACTS:
Ni: 50u" MIN. UNDER PLATED OVER ALL.
Au PLATED ON THE FUNCTIONAL AREA OF CONTACT.
(GOLD PLATING THICKNESS FOLLOW THE P/N)
PLATING SPECIFICATIONS OF THE SOLDER AREA FOLLOW THE P/N
- 2-2. FRONT SHELL:
Ni: 30u" MIN. UNDER PLATED OVER ALL.
- 2-3. SHIELD PLATE & EMI PLATE:
CLEAR ONLY

3. MECHANICAL PERFORMANCE:

- 3-1. INSERTION FORCE: 0.5~2.0kgf.
- 3-2. REMOVAL FORCE: 0.8kgf~2.0kgf.
- 3-3. DURABILITY: 10000 CYCLES.

4. ELECTRICAL PERFORMANCE:

- 4-1. CURRENT RATING: 5.0A
VOLTAGE RATING: 5.0V

4-2. LCRR:

- VBUS & GND PINS AND OTHER PINS: 40mΩ/PIN MAX.
SHIELD: 50mΩ/MAX.
LCRR MAX. CHANGE OF ALL PINS: 10mΩ.

4-3. INSULATION RESISTANCE: 100MΩ MIN

4-4. DIELECTRIC WITHSTAND VOLTAGE: AC 100V FOR 1 MINUTE.

5. ENVIRONMENTAL PERFORMANCE:

- OPERATING TEMPERATURE: -25°C~+85°C.
6. IR REFLOW:

THE PEAK TEMPERATURE ON THE BOARD SHALL BE MAINTAINED FOR 10 SECONDS AT 260°C.

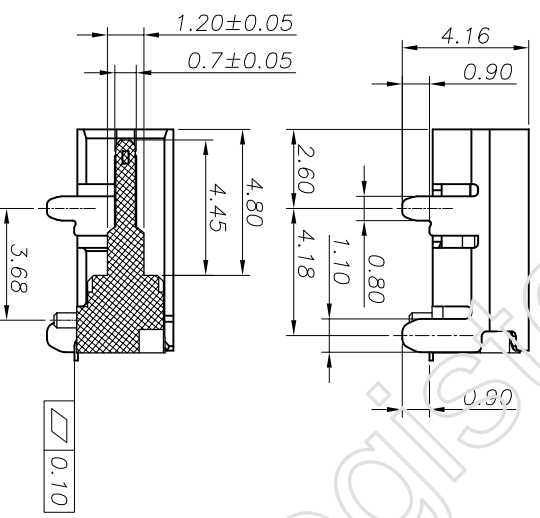
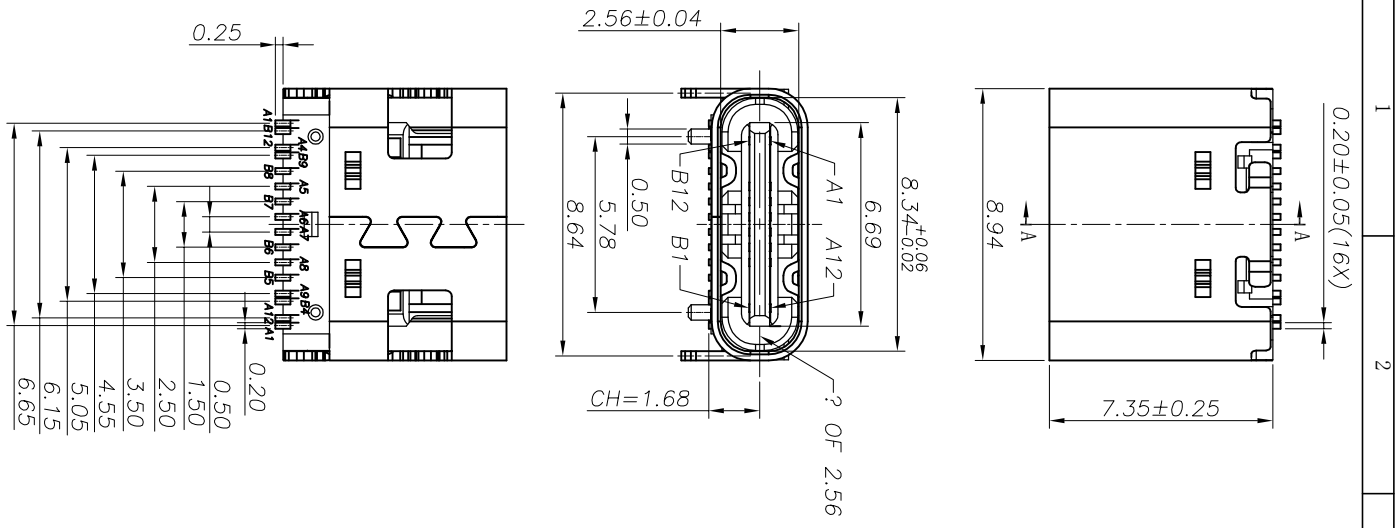
RoHS Compliant

深圳市鑫南天科技有限公司

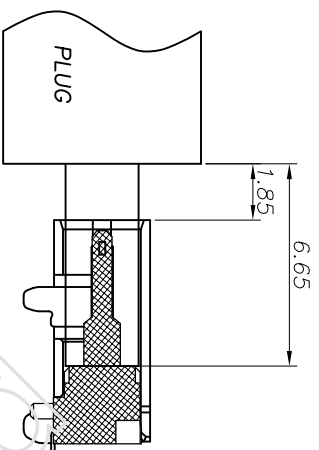
TITLE: USB CF 16PIN (L=7.35) WITH POST

TOLERANCE UNSPECIFIED	
.0	±0.50
.00	±0.38
.000	±0.25
ANGLE	±0.10
MANUFACTURING COPY	±3.00°

DRAWN BY:	SIZE: A4	UNIT: mm.	PART NO. XNT-FUCR-163X-K2XX
CHECKED BY:	SCALE: 1:1	PROJECTION	REV.: A
APPROVED BY:	DWG. PATH		SHEET: 1/3



SECTION: A-A



AFTER MATING

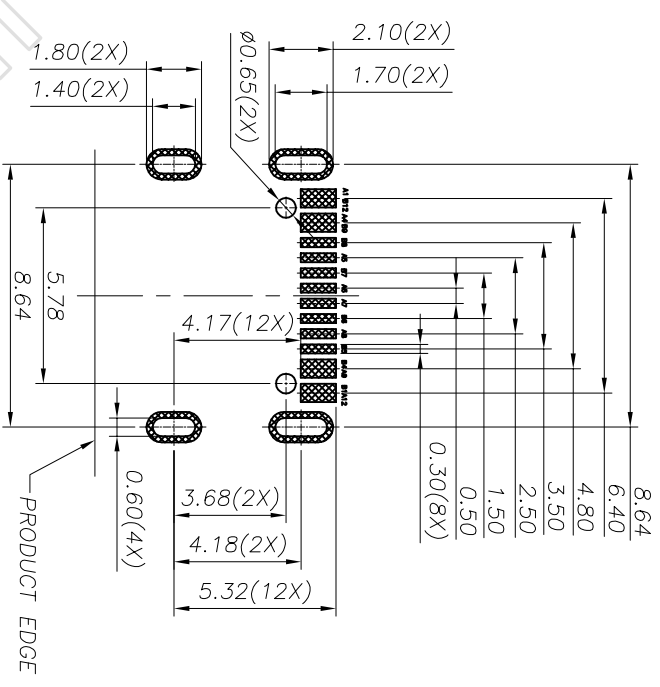
USB TYPE-C PIN ASSIGNMENTS

PIN NUMBER	SIGNAL NAME	PIN NUMBER	SIGNAL NAME
A1	GND	B12	GND
A4	VBUS	B9	VBUS
A5	CC1	B8	SBU2
A6	Dp1	B7	Dn2
A7	Dn1	B6	Dp2
A8	SBU1	B5	CC2
A9	VBUS	B4	VBUS
A12	GND	B1	GND

XNT-FUCR-163X-K2

R TAPE&REEL (卷)
 B: BLACK
 W: WHITE

- K: GOLD FLASH PLATING ON CONTACT AREA
- Matte Tin PLATING ON SOLDER AREA
- M: 5u" GOLD PLATING ON SOLDER AREA
- Matte Tin PLATING ON CONTACT AREA
- P: 15u" GOLD PLATING ON CONTACT AREA
- Matte Tin PLATING ON SOLDER AREA
- U: 30u" GOLD PLATING ON CONTACT AREA
- Matte Tin PLATING ON SOLDER AREA



RECOMMENDED PCB LAYOUT(TOP VIEW)
 THICKNESS: 0.80MM; DEFAULT TOLERANCE: ±0.05

RoHS Compliant

深圳市鑫南天科技有限公司

TITLE: USB CF 16PIN (L=7.35) WITH POST

TOLERANCE UNSPECIFIED	±0.50
.0	±0.38
.00	±0.25
.000	±0.10
ANGLE	±3.00°
MANUFACTURING COPY	

SIZE: A4 UNIT: mm. PART NO. XNT-FUCR-163X-K2XX

SCALE: 1:1 PROJECTION

DRAWN BY:	CHECKED BY:	APPROVED BY:	DWG. PATH	REV.: A	SHEET: 2/3
-----------	-------------	--------------	-----------	---------	------------