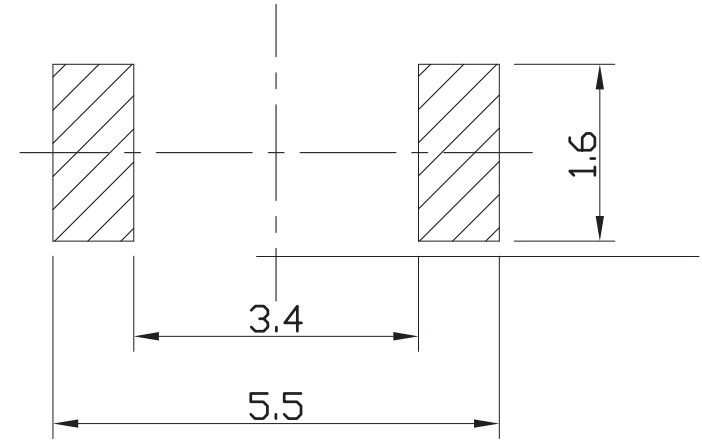
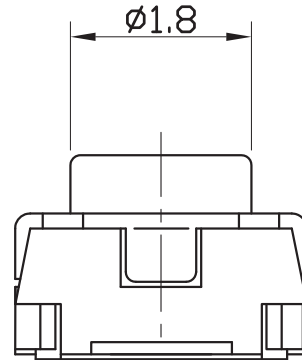
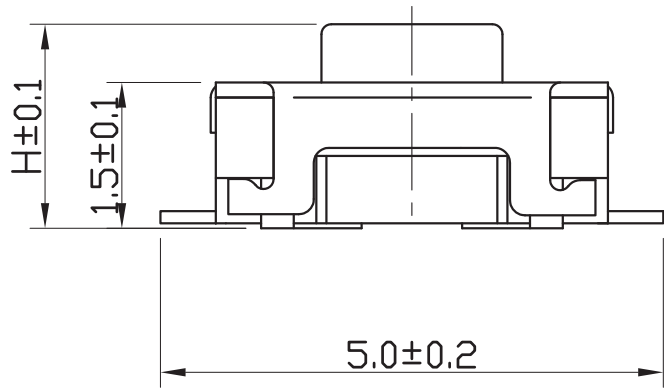


CIRCUIT DIAGRAM



P.C.B LAND DIMENSION



REFERENCE DRAWING

RevNo	Revision note	Date	Signature

NOTE

- 1. RATING : DC 12V 50mA**
- 2. CONTACT RESISTANCE : 100mΩ MAX**
- 3. GENERAL TOLERANCE : ±0.3**
- 4. MANUFACTURING SPECIFICATION
WOULD BE ACCORDANCE WITH WT0158**

TS-018		2.5 mm	BLACK	BLACK	180±30gf	50,000 Cycles
MODEL NO.	CODE NO.	"H"	STEM COLOR	CASE COLOR	O/FORCE	LIFE

Designed by	L.Y.D		深圳市鑫南天科技有限公司							
Checked by			Unit	mm	Scale	1/1	Date	2011.10.14		
Approved by		Item	Tactile Switch		Tool	A-Cad	Sheet	1/1	Rev.	0
Model	2.9X3.9 Vertical Flat		Drawing name		ASSEMBLY					

规格书

SPECIFICATIONS

1. SCOPE适用范围: This specification covers the requirements for: "Tact switch" (本规格书适用:"Tact switch"系列)

2. Rating 额定值: DC 12V 0.1A

3. CONSTRUCTION构造:

3.1. Shape and dimensions are subject to drawing. 形状 尺寸依图面确定.

3.2. All part not allowed to exist rust、crack and poor plating.各部分应无生锈、裂痕、电镀不良现象.

4. Standard test conditions shall be 5 to 35°C in temperature and 45 TO 85% in humidity.

温度 5~35°C ,湿度45~85% 标准状态下测试。

5. Operating temperature range -40 to +70°C .温度-40~+70°C 环境内使用。

6. Electronical performance 电气性能

6.1. Contact resistance 接触阻抗

Being measured at 1 KHz small current contact resistance meter. Performance 30mΩ max.

在1kHz 小电流下测量. 30毫欧 以下

6.2. Insulation resistance 绝缘阻抗

Measurements shall be made following application of DC 500 V potential across terminals and across terminals and frame for 1 minute. Performance : 100MΩ min

在端子之间和端子与壳之间加 DC 500 V条件下,持续1分钟测量. 规格: 100兆欧 以上

6.3 Withstand voltage 耐电压

AC 500 V(50Hz or 60 Hz)shall be applied across terminals and across terminals and frame for one minute.

There shall be no breakdown.

在端子之间和端子与壳之间加AC500V(50Hz或60Hz)条件下,持续1分钟测量,无击穿现象出现

7. Mechanical performance 机械性能

7.1. 动作力 180±30gf

7.2. Terminal strength 端子强度

A static force of 500gf being applied in one direction on the tip of the terminalfor 1 minute. There shall be no sign of damage mechanically and electrically.

一个500克之静负荷施加于端子顶部的一个方向持续一分钟.无任何迹象显示机械及电气性能之损坏

8. Durability 耐焊性

8.1. Soldering test 可焊性试验

The tip of the terminals shall be dipped 2mm in the solder bath at a temperature of 230±5°C for 3±0.5 sec. A new uniform coating of solder shall cover a minimum of 75% of the surface being immersed

端子顶部被浸入焊锡池2mm深, 温度230±5°C 时间3±0.5秒. 浸入的部分75%以上表面将被锡覆盖。

8.2. Resistance to soldering heat test 耐焊性试验

Solder bath method: solder temperatute 260+5°C Immersion Thickness of PCB 1.6mm. soldering iron method: Bit temperature 350±10°C Application time 3±0.5 sec However excessive pressure shall not be applied to the terminal. Without deformation of case or excessive looseness of teminals electrical characteristics shall be satisfied.

焊炉焊锡的温度控制在260±5°C, 过炉焊接的时间5±1秒于(基板)厚度为1.6mm. 手焊接的时候温度需控制在350±10°C, 时间为3±0.5秒但不能在排脚上施加异常压力。 本体无变形, 能满足于机械、电气性能

8.3. Lift test 寿命试验

50,000 cycles of operation at a rate of 15-18 cycles per minute with unloading

无负载条件下，每分钟15—18次的速度操做50,000 次

- (1) Contact resistance 150m Ω max. 接触阻抗 150毫欧 以下
- (2) Operating force 30% initial value 动作力变化范围初始值30%
- (3) Item 项目—6.2
- (4) Item 项目—6.3
- (5) Item 项目—7.2

8.4. Heat test 耐热试验

80 \pm 2 $^{\circ}$ C for 96 hours, test after keeping in normal condition for 30 minutes.

在80 \pm 2 $^{\circ}$ C环境中放96小时，再放在正常环境中，30分钟后进行测试。

- (1) Contact resistance 150m Ω max. 接触电阻150毫欧 以下
- (2) Insulation resistance 绝缘电阻50M Ω min.50兆欧以上
- (3) There shall be no sign of damage mechanically and electrically 无任何迹象显示机械及电气性能之损坏

8.5. Humidity test 耐湿试验

40 \pm 2 $^{\circ}$ C 90-95%RH for 96 hours, test after keeping in normal condition for 30 min.

在40 \pm 2 $^{\circ}$ C 90—95%RH 环境中放96小时，再放在正常环境中，30分钟后进行测试

- (1) Contact resistance 150m Ω max. 接触电阻150毫欧 以下
- (2) Insulation resistance 绝缘电阻50M Ω min.50兆欧以上
- (3) There shall be no sign of damage mechanically and electrically 无任何迹象显示机械及电气性能之损坏

8.6. Cold test 耐冷试验

At -20 \pm 3 $^{\circ}$ C for 96 hours, test after keeping in normal condition for 30 min.

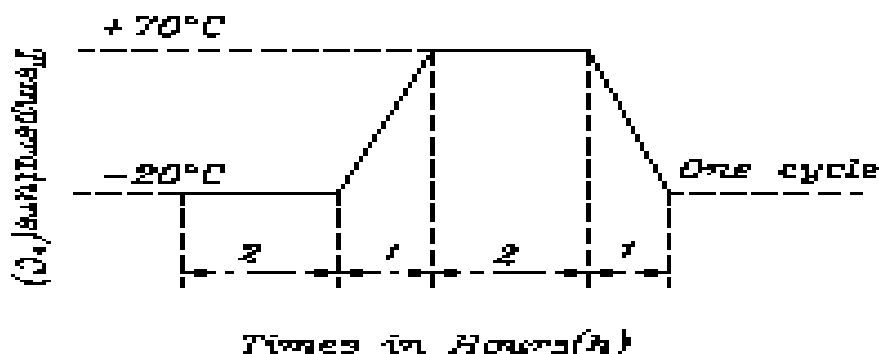
在-20 \pm 3 $^{\circ}$ C环境中放96小时，再放在正常环境中，30分钟后进行测试。

- (1) Contact resistance 150m Ω max. 接触电阻150毫欧 以下
- (2) Insulation resistance 绝缘电阻50M Ω min.50兆欧以上
- (3) There shall be no sign of damage mechanically and electrically 无任何迹象显示机械及电气性能之损坏

8.7. Temperature cycling test 温度交变试验

In FIG. For 5 cycles, test after keeping in normal condition for 30 min

如图示之环境中，循环5次后再置于正常环境中30分钟后进行测试



9. Others

When the amendment of this specification comes into necessity, it shall be made by the mutual consultation and agreement between manufacturer and customer.

当规格书需要修正时，需客户同厂方共同确认