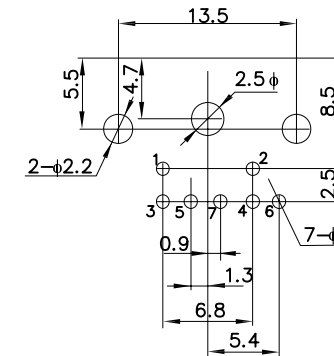
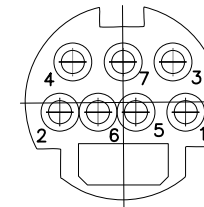
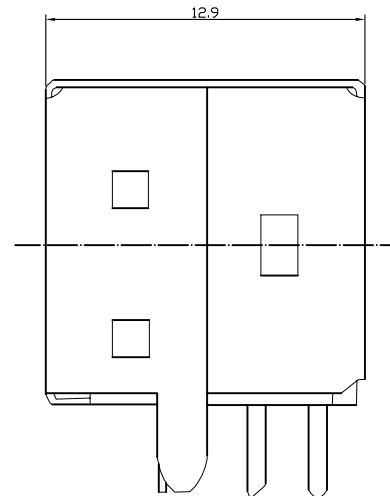
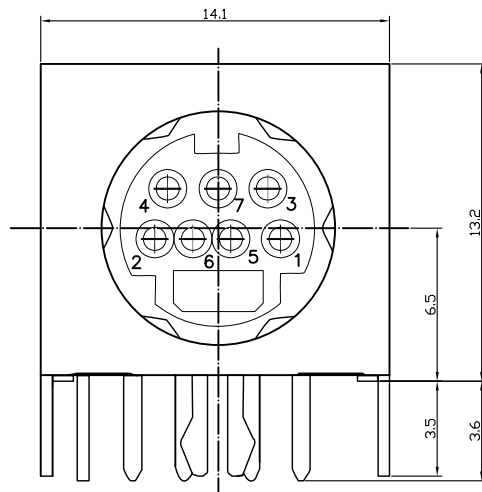
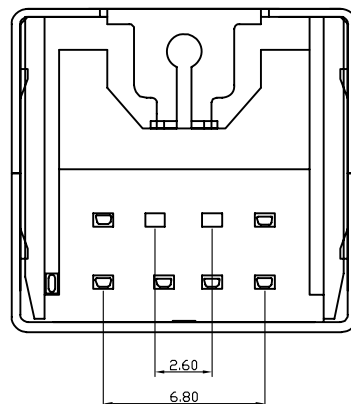


* ROHS COMPLIANT



RECOMMENDED PCB LAYOUT

TOLERANCE: ±0.05



NOTES:

MATERIAL

1.1 HOUSING: PBT

1.2 CONTACT : BRASS T=0.25MM

1.3 SHELL: IRON T=0.30MM

ELECTRIC CHARACTERISTICS:

2.1 CONTACT RESISTANCE: 30mΩ MAX.

2.2 INSULATION RESISTANCE: 1000MΩ MIN.

2.3 DIELECTRIC WITHSTANDING

VOLTAGE: 500V AC FOR 1 MINUTE

2.4 OPERATING TEMPERATURE: -55°C~+85°C

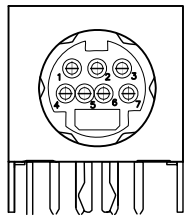


深圳市鑫南天科技有限公司
Shenzhen XinNanTian Technology Co., Ltd

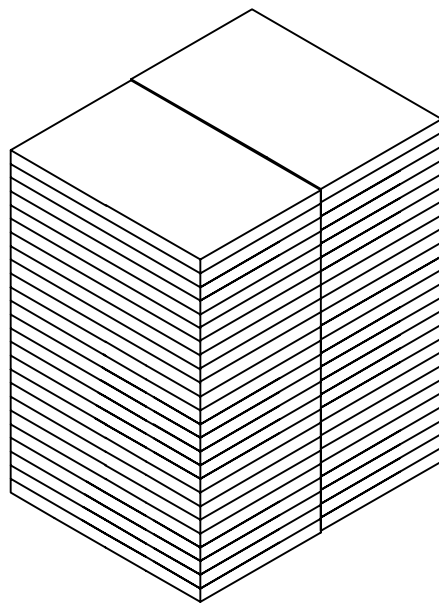
DIMENSIONS INIT: mm	
UNLESS OTHERWISE SPECIFIABLE	
DIMENSION	TOLERANCE
X.X: ±	0.50
X.XX: ±	0.25
X.XXX: ±	0.10
ANGULAR: ±	1°

PRODUCT NAME : mini din 7pin dip type	DRAWING: COCO	DATE: 2014/06/15
PRODUCT NO. : XNT-minidin-00226	CHECK: JANY	DATE: 2014/06/15
DRAWING NO. : XNT-minidin-0024	APPROVED: JEFF	DATE: 2014/06/15
SCALE: NA	DWG ID: P D	REV.: A
		PAGE: 1 OF 2

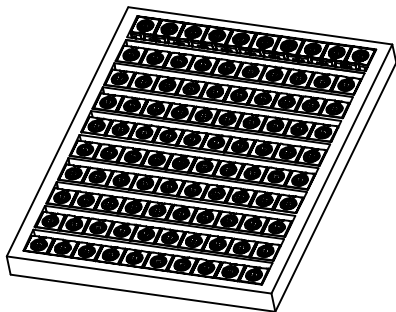
REVISION NO.	ECR NO.	DESCRIPTION	MARK	DATE
1				
2				
3				



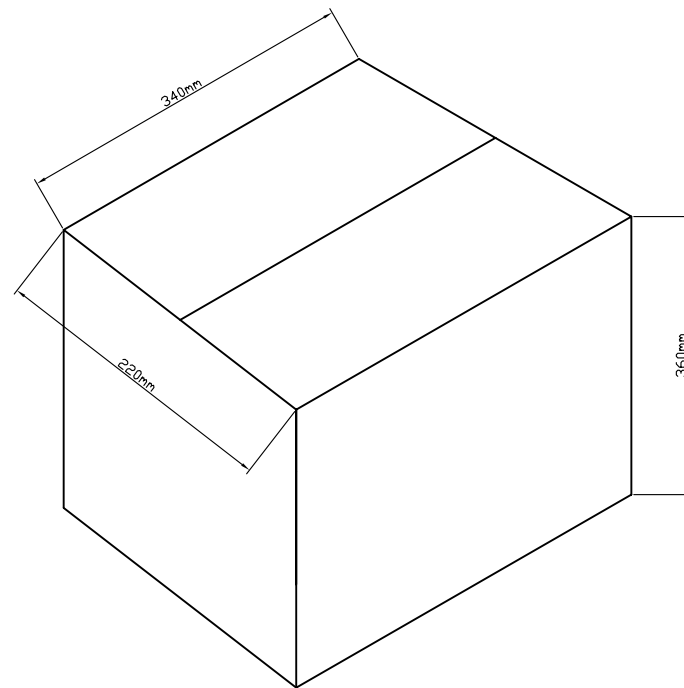
1. mini din product



3. Buckle up 5 PCS tray as one Bundle, 500PCS/Bundle, then, put 10 bundles in one carton. total: 5000PCS/carton.



2. Put mini din in Tray, 10PCS/Row, 10Row/Tray, total 100PCS



4. Carton size

REVISION NO.	ECR NO.	DESCRIPTION	MARK	DATE
1				
2				
3				

		深圳市鑫南天科技有限公司 Shenzhen XinNanTian Technology Co., Ltd			
		DIMENSIONS INIT: mm UNLESS OTHERWISE SPECIFIABLE DIMENSION TOLERANCE X.X: ± 0.50 X.XX: ± 0.25 X.XXX: ± 0.10 ANGULAR: ± 1°	PRODUCT NAME : mini din 7pin dip type PRODUCT NO. : XNT-minidin-00226 DRAWING NO. : XNT-minidin-0024	DRAWING: COCO CHECK: JANY APPROVED: JEFF	DATE: 2014/06/15 DATE: 2014/06/15 DATE: 2014/06/15