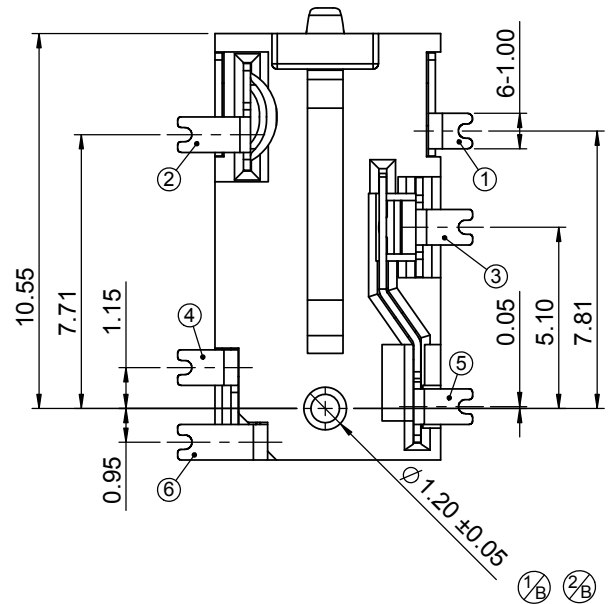
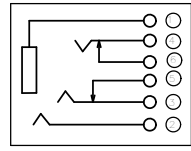


Ø 3.50mm 4 POLE PLUG
DETAIL DRAWING(2:1)



- NOTES:
 1. CONTACT CURRENT RATING: 1A.
 2. CONTACT RESISTANCE: 50 mΩ MAX.;
 3. INSULATION RESISTANCE: 100MΩ MIN.;
 4. DIELECTRIC WITHSTANDING: 500V AC MIN.;
 5. DURABILITY: 5,000 CYCLES MIN.;
 6. CONNECTOR MATING FORCES:
 29.4N (3.00Kgf) MAX.;
 7. CONNECTOR UNMATING FORCES:
 2.94N(0.30Kgf) MIN.;



SCHMATIC

7	HOUSING	HIGH TEMP	BLACK	UL 94V-0
6	TERMINAL 6	COPPER ALLOY		Au PLATED
5	TERMINAL 5	COPPER ALLOY		Au PLATED
4	TERMINAL 4	COPPER ALLOY		Au PLATED
3	TERMINAL 3	COPPER ALLOY		Au PLATED
2	TERMINAL 2	COPPER ALLOY		Au PLATED
1	TERMINAL 1	COPPER ALLOY		Au PLATED
NO.	DESCRIPTION	MAT,L	COLOR	REMARK

深圳市鑫南天科技有限公司
 Shenzhen XinNanTian Industrial Co.,Ltd

CUSTOMER COPY TITLE: Ø3.50 mm PHONE JACK CONNECTOR

PART NO. XNTB06G13ZL2

PRODUCT SPEC. XNT-RJZ-0001897

D FILE NAME. XNTB06G13ZL2-C

SCALE 5:1 UNIT:mm A4 SHEET: 1 of 2

JH2012-002	B	12/06/04			Angle ±2°	DESIGN	COCO	12/06/04	
					X ±0.35	CHECK	JANY	12/06/04	
					.X ±0.25	APPRO.	JEFF	12/06/04	
					.XX ±0.20				
ECN NO.	REV	DATE	DESCRIPTION	CHANGE APPRO.	GENERAL TOLERANCE UNLESS OTHERWISE NOTED				