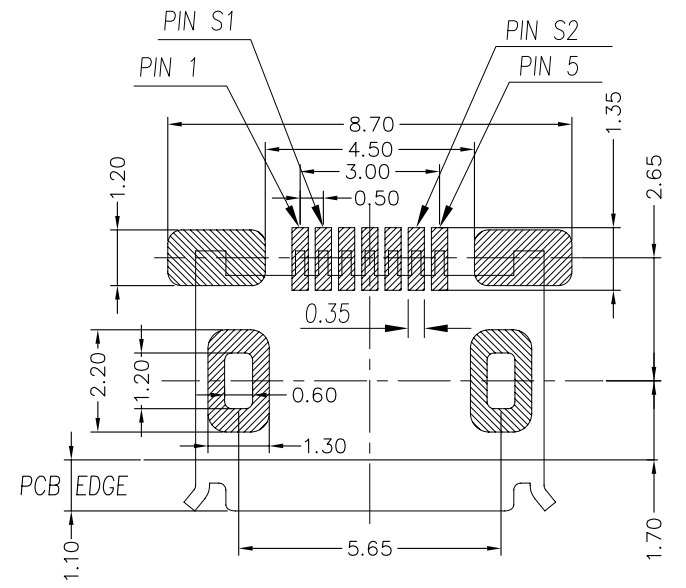
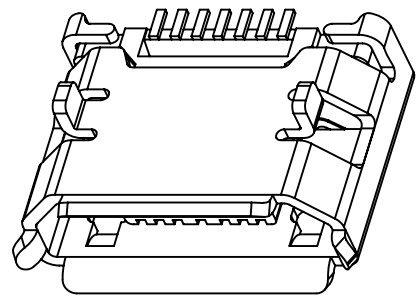
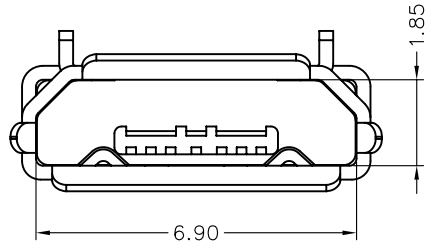
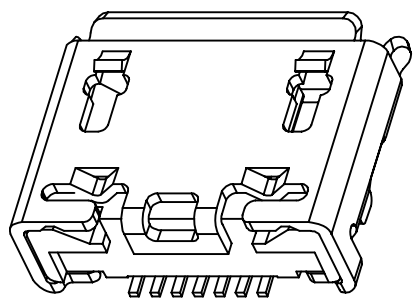
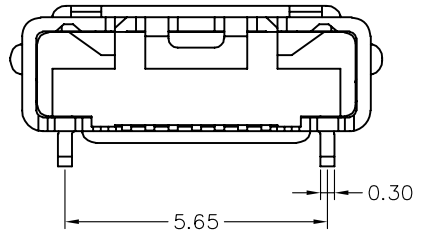
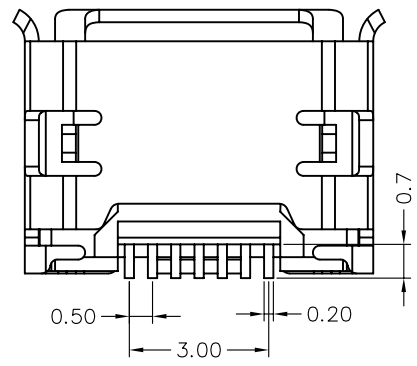
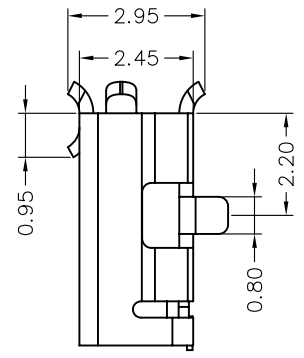
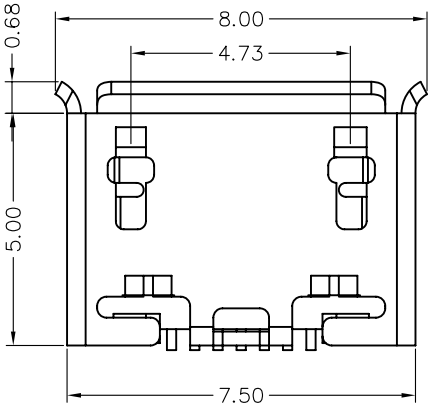


REV	ECN. NO:	B Y	DATE
A/0	Nwe draw		08/28' 11



RECOMMENDED PCB LAYOUT
TOLERANCE: ±0.05



- NOTES:
MATERIAL:
- 1.1 HOUSING: HIGH TEMPERATURE THERMOPLASTIC UL94V-0
 - 1.2 CONTACT: COPPER ALLOY T=0.12mm
 - 1.3 SHELL: SUS304, T=0.30 mm
2. SPECIFICATIONS:
- 2.1 CURRENT RATING: 1 A MAX
 - 2.2 DIELECTRIC WITHSTANDING VOLTAGE: 100 VAC FOR 1min
 - 2.3 CONTACT RESISTANCE: 30 MILLIOHMS.
 - 2.4 INSULATION RESISTANCE: 100 MEGA OHMS.
 - 2.5 TOTAL MATING FORCE: 3.57 KgF MAX.
 - 2.6 TOTAL UNMATING FORCE: 1.0KgF MIN. 0.81~2.05 KgF MIN. AFTER 10000
 - 2.7 TEMPERATURE RANGE: -30° C ~ +80° C

<p>-TOLERANCES- UNLESS OTHERWISE SPECIFIED 公差參考表</p> <p>X.X ±0.25 X.XX ±0.15 X.XXX ±0.10</p>	<p>深圳市鑫南天科技有限公司</p>		
	APPD: 核准:	Product title: 產品名稱: micro usb7pin 5.65	
	CHECK: 校對: Bridge	Product No: 產品編號: XNT07005601-NS	
	DRAW: 繪圖: Kitty	Scale: Free	Unit: mm