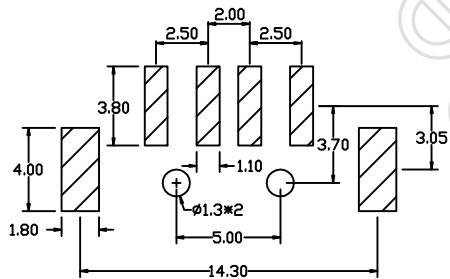
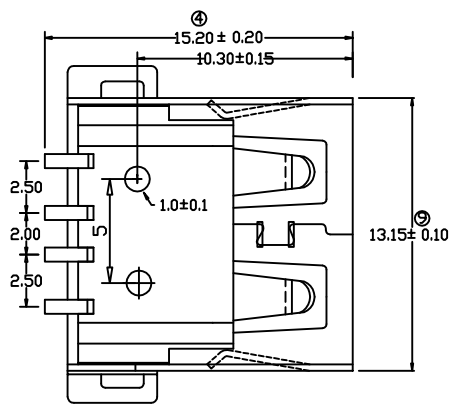
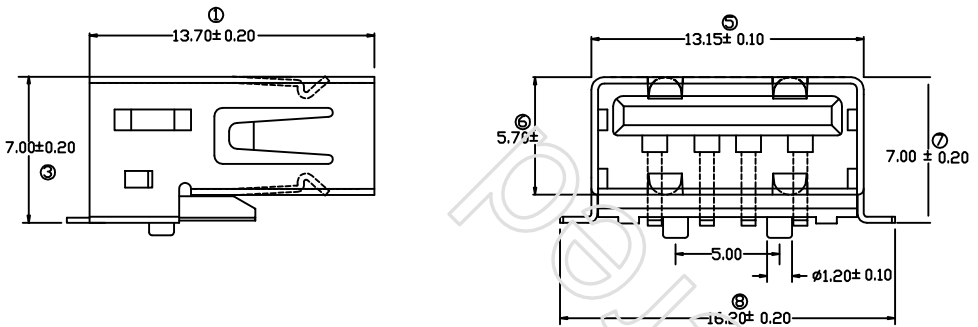


REV.	ECN NUMBER	DESCRIPTION	DRAWING	DATE

### SPECIFICATIONS

- 1)Electrical:
  - 1.1 Contact Resistance: 30 mΩ Max
  - 1.2 Insulation Resistance: 1000MΩ Min
  - 1.3 Withstanding Voltage: 500V DC
  - 1.4 Current rating 1.5AMP Max.
  - 1.5 Total Mating Force: 3.57kg Max.
  - 1.6 Total Unmating force: 0.7kg Min.
  - 1.7temperature Range: ~-25° +75°
- 2)Material:
  - 2.1 Housing: High temperature Plastics UL94V-0
  - 2.2 SHELL: SPCC OR BRASS
  - 2.3 Contact: Brass
- 3)Finishing:
  - 3.1 plating: Au or Sn Over 100u" Ni
  - 3.2 Crimp Terminal : Gold-plating
  - 3.2 Shell: Nickel-plating



由 Autodesk 教育版产品制作

由 Autodesk 教育版产品制作

<b>CUSTOMER DRAWING</b>		TOLERANCE UNLESS OTHERWISE SPECIFIED		深圳市鑫南天科技有限公司			
		X ± 0.30	X* ± 4°				
		.X ± 0.25	.X* ± 4°				
		XX ± 0.20					
DRAWN	COCO	UNIT	mm	PART NO.	XNTUSB-A13670PK	DWG NO.	
CHECKED	COCO	SCALE	1:1	TITLE	USBAF13.6 卷边无后包 /7.0高/大点/前贴后贴		
APPROVE		SHEET	1/1	PROJ.		SIZE	A4
DATE						REV.	A