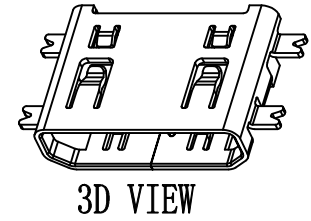
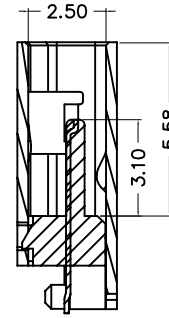
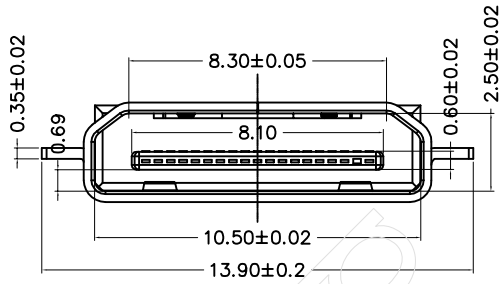
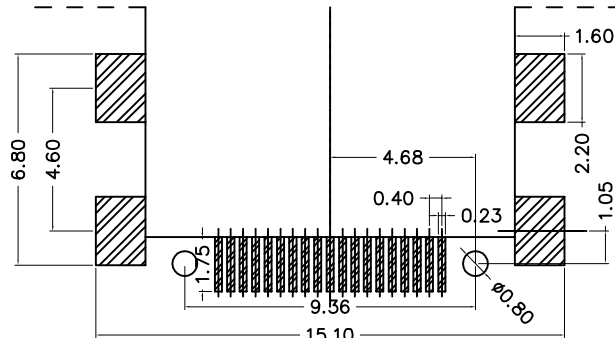
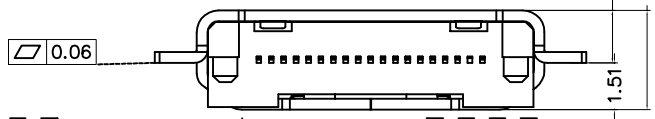
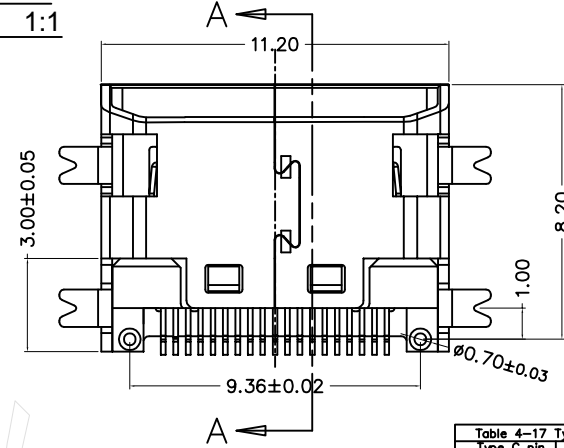
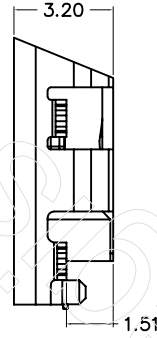
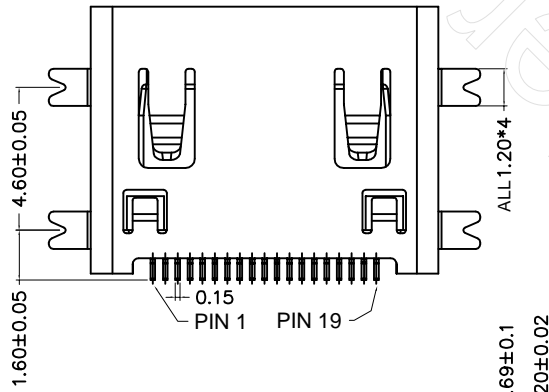
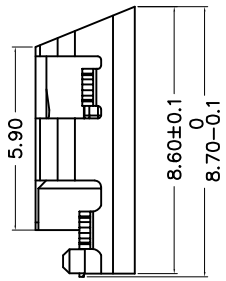


\* 所有原料材质, 生产制程, 电镀必须符合ROHS要求



SEC A-A  
SCALE 1:1



| Type C pin | Signal Name       |
|------------|-------------------|
| 1          | TMDS Data2_Shield |
| 2          | TMDS Data2+       |
| 3          | TMDS Data2-       |
| 4          | TMDS Data1_Shield |
| 5          | TMDS Data1+       |
| 6          | TMDS Data1-       |
| 7          | TMDS Data0_Shield |
| 8          | TMDS Data0+       |
| 9          | TMDS Data0-       |
| 10         | TMDS Clock_Shield |
| 11         | TMDS Clock+       |
| 12         | TMDS Clock-       |
| 13         | DDC/CEC Ground    |
| 14         | CEC               |
| 15         | SCL               |
| 16         | SDA               |
| 17         | Utility           |
| 18         | +5V Power         |
| 19         | Hot Plug Detect   |



深圳市鑫南天科技有限公司

Shen zhen Shi Xin Nan Tian Industrial Co., Ltd

|                                                               |                     |                                     |              |        |         |            |            |
|---------------------------------------------------------------|---------------------|-------------------------------------|--------------|--------|---------|------------|------------|
| DIMENSIONS INIT: mm<br>UNLESS OTHERWISE SPECIFIABLE           | PRODUCT NAME :      | MINI-HDMI 19Pin C TYPE沉板短体 (鑫南天版本3) | DRAWING:     | COCO   | DATE:   | 2009/12/10 |            |
|                                                               | DIMENSION TOLERANCE | PRODUCT NO. :                       | 0101DAAG19Q8 | CHECK: | JANY    | DATE:      | 2009/12/10 |
| X.X: ± 0.25<br>X.XX: ± 0.10<br>X.XXX: ± 0.05<br>ANGULAR: ± 1° | DRAWING NO. :       | XNT-009                             | APPROVED:    | JEFF   | DATE:   | 2009/12/10 |            |
|                                                               |                     |                                     | SCALE:       | 1:1    | DWG ID: | REV.: A    |            |
|                                                               |                     |                                     |              |        | P D     | PAGE:      | 10F1       |

| REVISION NO. | ECR NO. | DESCRIPTION | MARK | DATE |
|--------------|---------|-------------|------|------|
| 1            |         |             |      |      |
| 2            |         |             |      |      |