

1 2 3 4 5 6 7 8

A

B

C

D

E

F

A

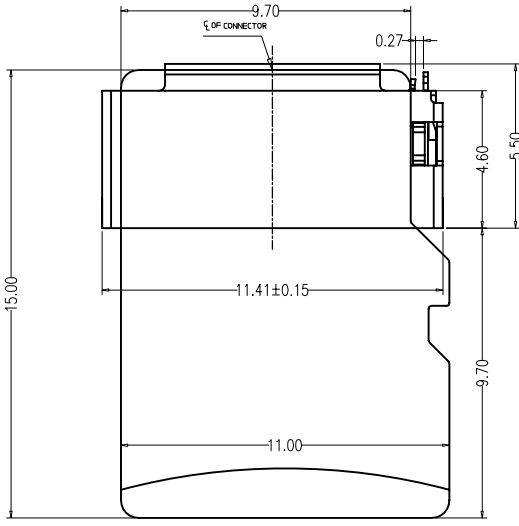
B

C

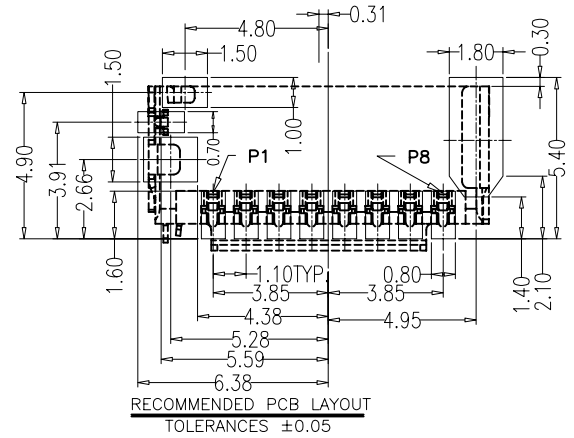
D

E

F



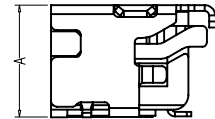
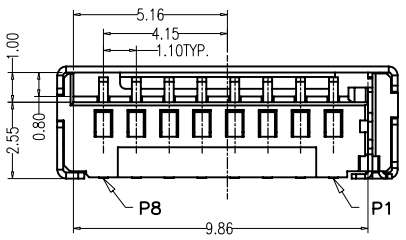
Pin No.	NAME
1	DAT2
2	CD/DAT3
3	CMD
4	VDD
5	CLK
6	VSS
7	DAT0
8	DAT1



RECOMMENDED PCB LAYOUT
TOLERANCES ±0.05

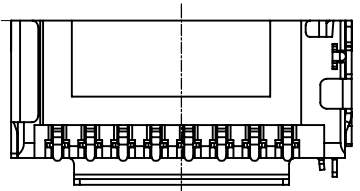
-NOTES-

- Electrical:
Contact resistance:50m ohms max.
Dielectric withstanding voltage:500V RMS.
Insulation resistance:1000M ohms min.
- Mechanical:
MATE AND UNMATE FORCE:
MATE FORCE:4.5kg MAX
UNMATE FORCE:0.5kg MIN
Durability:1500cycles MIN.
- Environment:
Operating Temperature:-25°to+85°.
- FINISH:
TERMINAL: GOLD Plated Over NICKEL
Contact area,TIN ON
SOLDER TAIL AREA& TIN
Plated ALL Over NICKEL.
Shell: SPCC WITH NICKEL&GOLD Plated.
- COLOR:
HOUSING:BLACK.



XNT-TFDTNHH XXX

尺寸	高度	尺寸
1	3.0	XNT-TFDTNHH300
2	3.35	XNT-TFDTNHH335
3	3.75	XNT-TFDTNHH375



深圳市鑫南天科技有限公司
Shenzhen XinNanTian Industrial Co.,Ltd

					零件名称 TITLE	H3.0°H3.75筒形卡(带检测PIN)	第三角投影法 THIRD ANGLE REJECTION METHOD		版次 REV A		
					零件料号 PART NO.	XNT-TFDTNHH XXX	一般公差 GENERAL TOLERANCE	比例 SCALE:	单位: mm UNIT:	页次 SHEET 1 OF 1	
					图号 DRWG NO.	XNT-TF-0800	出版日期 PLOT DATE	核准 APPROVED BY	审核 CHECKED BY	设计 DESIGNER BY	制图 DRAWN BY
A	??	??	??	??	新发行	2013年	JEFF	LAFF	COCO	COCO	
REV	变更单号 ECN NO	变更描述 DESCRIPTION	确认 APPROVA BY	日期 REV							

1 2 3 4 5 6 7 8